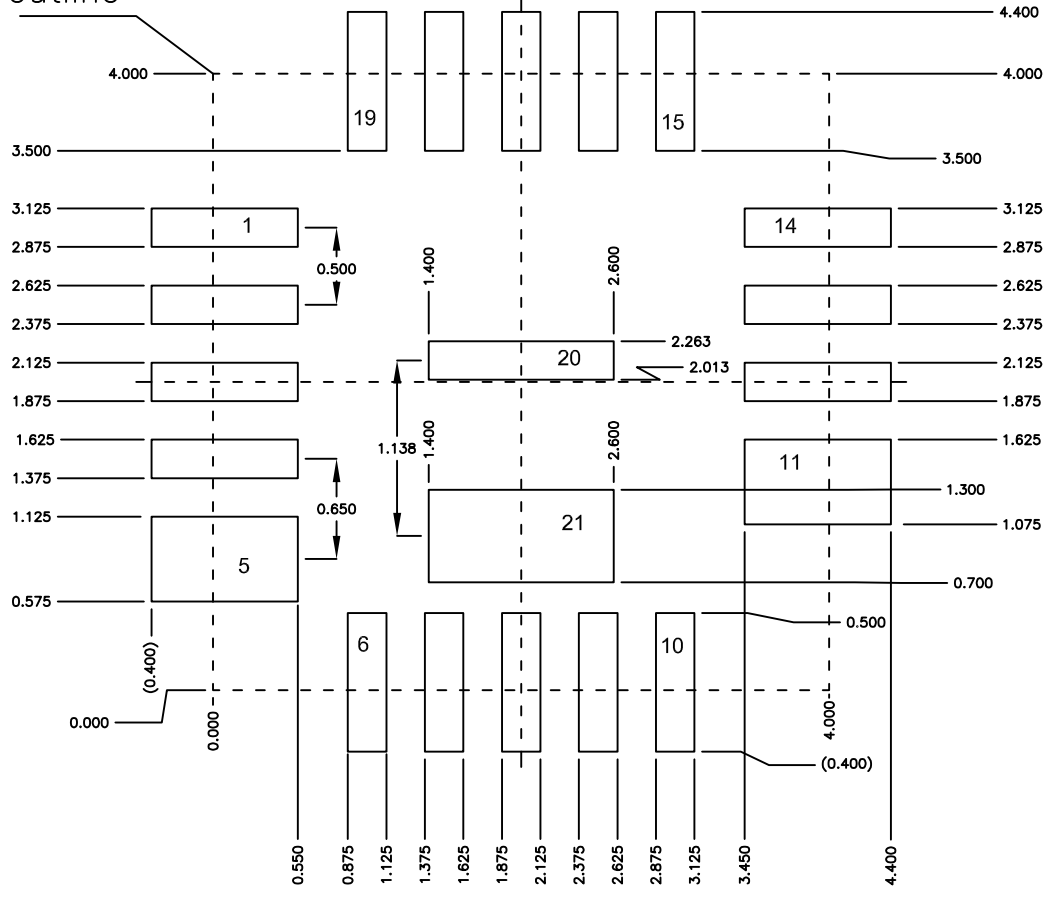


Package outline



Package	Number of Pin	Tolerance
V/W/U/XQFN4x4-21(FC)	21	±0.05