

---

# Powering Microcontrollers from Industrial Supply Rails

## Abstract

The use of small microcontrollers like 8051, Cortex M0 or PIC16 is widespread in many electronic devices. Powering these devices is relatively straightforward, but in industrial environments or other applications using higher input supply voltages, there are different methods for stepping down the input supply to the 3.3V low current supply. Efficiency, output ripple, footprint and cost can be important decision factors for choosing a suitable power supply solution. This application note provides some solutions using Richtek ICs for powering these devices from (industrial) 24V supply rails.

## Contents

1. Introduction.....	2
2. Voltage Step-Down Using RT9058/RT9069/RT9068 Linear Regulator .....	2
3. Voltage Step-Down Using RT6200 Buck Converter .....	3
4. RT6208 36V 0.1A High Efficiency Buck Converter .....	7
5. Conclusion.....	11

## 1. Introduction

Many applications use small microcontrollers for I/O control or communication. The supply requirements for these microcontrollers are normally around 3.3V with current ranging from 5 ~ 50mA, depending on peripheral I/O blocks. For selecting the right power management topology, the designer has to consider efficiency, output ripple, footprint and cost.

## 2. Voltage Step-Down Using RT9058/RT9069/RT9068 Linear Regulator

The simplest way to step down voltage is using a linear voltage regulator. In many cases this is a good solution if load current is low and efficiency is not important. But when the difference between Input and output voltage becomes higher, the regulator dissipation can still become a critical factor at slightly higher load currents. In industrial environments, input voltage fluctuations may occur, so the regulator input range must be sufficient to handle these fluctuations.

Below table shows various Richtek linear regulators that can be used for powering MCUs from 24V rails. The amount of load current that can be supplied mainly depends on the thermal limitation of the package. The power dissipation figures below are practical values that are valid in normal PCB layout with some extra copper to the ground pins of device. 3.3V is a common output voltage, but different voltages are available.

Richtek part number	Description	V <sub>in</sub> range	Package	Max dissipation (T <sub>A</sub> = 60°C)	Max average load at 24V input
RT9058-33GV	2μA I <sub>Q</sub> , fixed output, without enable	3.5 to 36V	SOT23-3	~ 0.25W	12mA
RT9058-33GX	2μA I <sub>Q</sub> , fixed output, without enable	3.5 to 36V	SOT89	~ 0.5W	24mA
RT9069-33GB	2μA I <sub>Q</sub> , fixed output, with enable	3.5 to 36V	SOT23-5	~ 0.3W	14mA
RT9069-33GX5	2μA I <sub>Q</sub> , fixed output, with enable	3.5 to 36V	SOT89-5	~ 0.55W	26mA
RT9069-33GSP	2μA I <sub>Q</sub> , fixed output, with enable	3.5 to 36V	PSOP-8	~ 0.8W	38mA
RT9068-33GG RT9074-33GG	30μA I <sub>Q</sub> , fixed output, without enable	4.5 to 60V	SOT223	~ 0.7W	33mA
RT9068GFP RT9074GFP RT9068-33GFP RT9074-33GFP	30μA I <sub>Q</sub> , adj/fixed o/p, with enable	4.5 to 60V	MSOP-8	~ 0.75W	33mA
RT9068GSP RT9074GSP	30μA I <sub>Q</sub> , adj/fixed o/p, with enable	4.5 to 60V	PSOP-8	~ 0.8W	38mA

RT9068-33GSP					
RT9074-33GFP					

The circuits for these linear regulators are extremely simple and ceramic capacitors as small as 1µF can be used. Figure 1 shows some application examples.

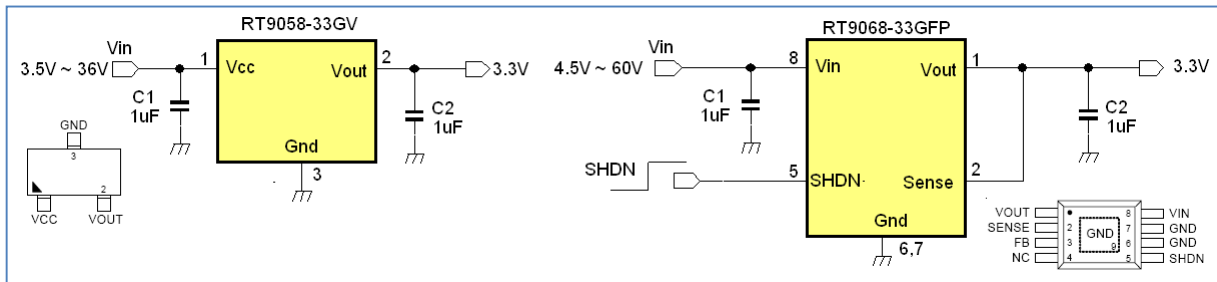


Figure 1.

The [RT9058](#) and [RT9069](#) have the advantage that at zero load, the regulator consumes almost zero power due to their very low quiescent current of only 2µA. This makes them suitable to be used with battery inputs as well.

### 3. Voltage Step-Down Using RT6200 Buck Converter

To achieve higher efficiency, a switching step-down regulator must be used. Because of the low load currents in microprocessor supplies, the switching losses of the converter play a larger role in the total efficiency than the MOSFET conduction losses. Reducing frequency will reduce switching losses, but pulse skipping modes sometimes have higher output voltage ripple due to the discontinuous conduction with fixed peak current operation in this mode.

The [RT6200GE](#) is a low current asynchronous buck converter with 36V input rating and 1.2MHz switching frequency. The SOT23-6 package achieves small application footprint, while the high switching frequency allows the use of relatively small inductors and output capacitors, and reduces output ripple. Block diagram and basic schematic are shown in figure 2.

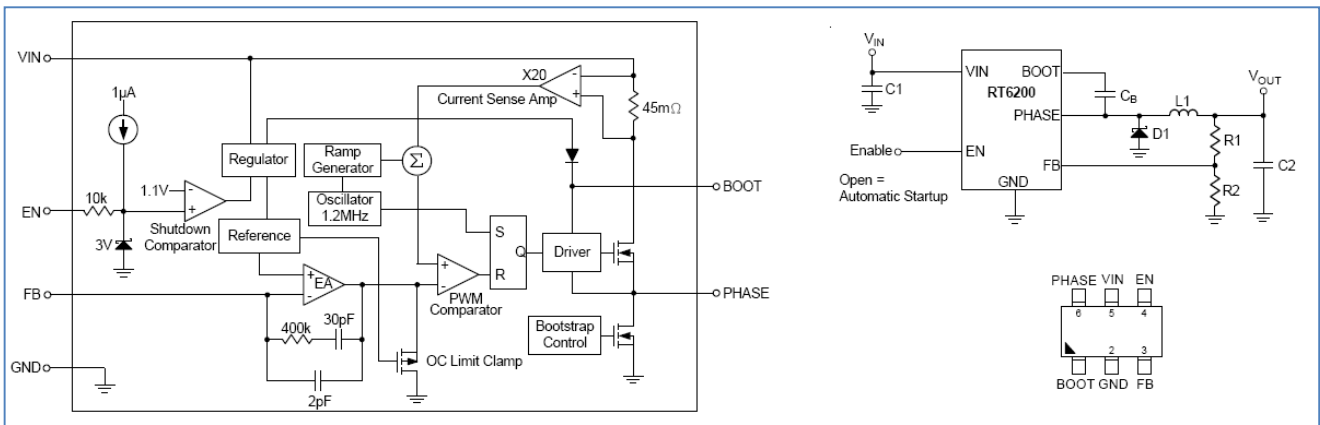


Figure 2.

In light load operation, this converter works in discontinuous mode, and the high-side MOSFET will occasionally skip pulses, to keep output regulated. An internal low-side MOSFET recharges the bootstrap capacitor. Small external Schottky diodes can be used, and these devices switch fast and have low voltage drop at low current levels. This operation achieves good efficiency over wide input and output voltage ranges.

Figure 3 below shows the complete application circuit for providing a stable 3.3V from higher input voltages.

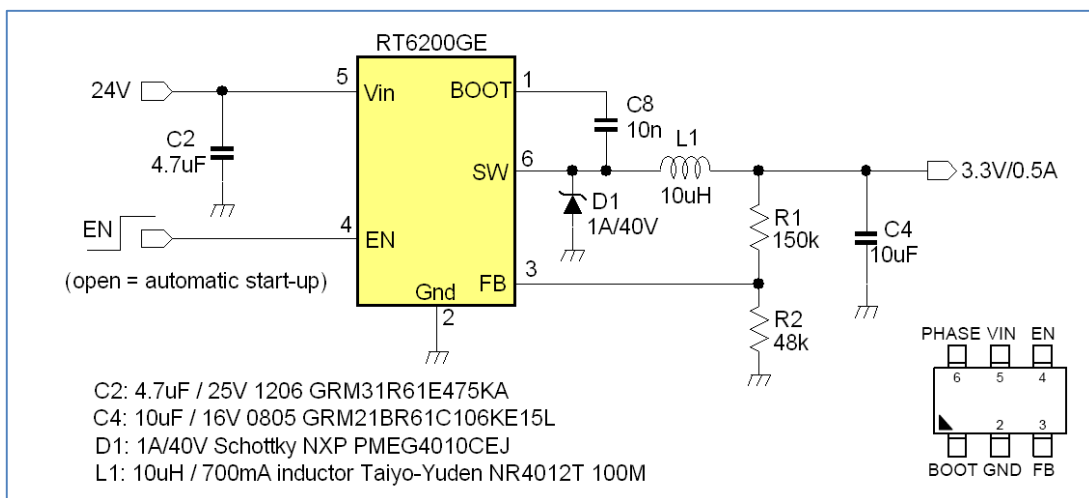


Figure 3.

The circuit is designed for load currents up to 0.5A, and uses only a few external components. At 0.5A loads, the converter works at 1.2MHz continuous conduction mode.

Inductor Current ripple is calculated by :  $\Delta I_L = \left[ \frac{V_{OUT}}{f \times L} \right] \times \left[ 1 - \frac{V_{OUT}}{V_{IN}} \right]$  Ripple is normally set at 0.4\*1-max.

Also for low current designs, it is recommended to keep the current ripple around 0.4\*device max rated current. A 10µH inductor will give 238mA current ripple. This means that the converter will enter discontinuous mode at load currents lower than 119mA. At light loads, below 75mA, the converter starts to work in pulse skip mode with fixed peak current of around 200mA.

In this design, the inductor is a small 4x4x1.2mm type, with saturation current of 700mA. For load currents below 100mA, a smaller type with ~350mA saturation current could be used.

The output capacitor determines the output ripple. The 10µF/16V 0805 size MLCC has around 7.7µF capacitance at 3.3V due to DC bias effect. In pulse skip mode, the output voltage ripple will increase to around 22mVpp.

The [RT6200](#) has internal compensation, but since the error amplifier is a normal OPAMP type, the bandwidth of the converter can be modified by changing value of the upper feedback resistor R1. The compensator gain (400kΩ/R1) is normally set at 12dB for typical applications that use 10µF output capacitance, resulting in a bandwidth of around 70kHz. When using lower value output capacitance, the converter bandwidth will increase. In order to keep sufficient phase margin, the value of R1 needs to be increased. To make this design less sensitive to noise, the bandwidth has been set slightly lower to 55kHz and phase margin is 58 degrees.

For automatic start-up, the EN pin can be left floating..

Figure 4 below shows the output voltage, switching waveform and inductor current at 10mA and 20mA load condition. In both cases, the converter works in pulse skip mode. The small internal low-side MOSFET will activate during every clock cycle to re-charge the bootstrap capacitor, and this results in some extra ring pulses between the high-side MOSFET switch cycles.

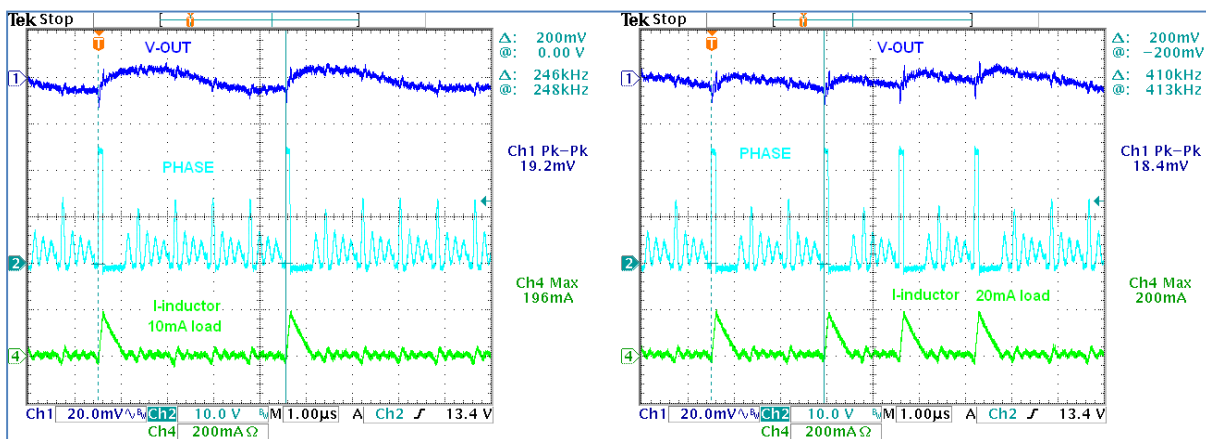


Figure 4.

The efficiency of this application is shown in figure 5. In the 50mA range, the efficiency is around 60%.

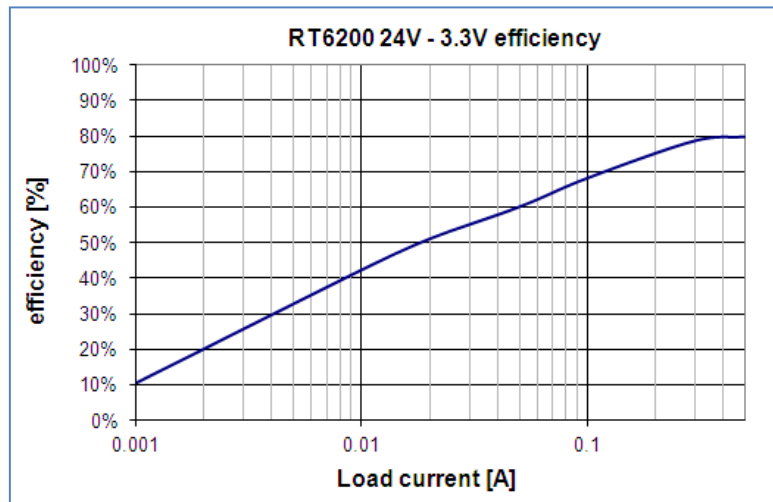


Figure 5.

An example layout is shown in figure 6. The power section is placed at the left top corner, and several vias connect power ground to IC ground (underneath the IC) via the inner ground layer. The feedback pin is sensitive to noise pick-up, and the R1/R2 network should be placed close to this pin, away from noisy signals. Total footprint of this layout is 9 x 9mm

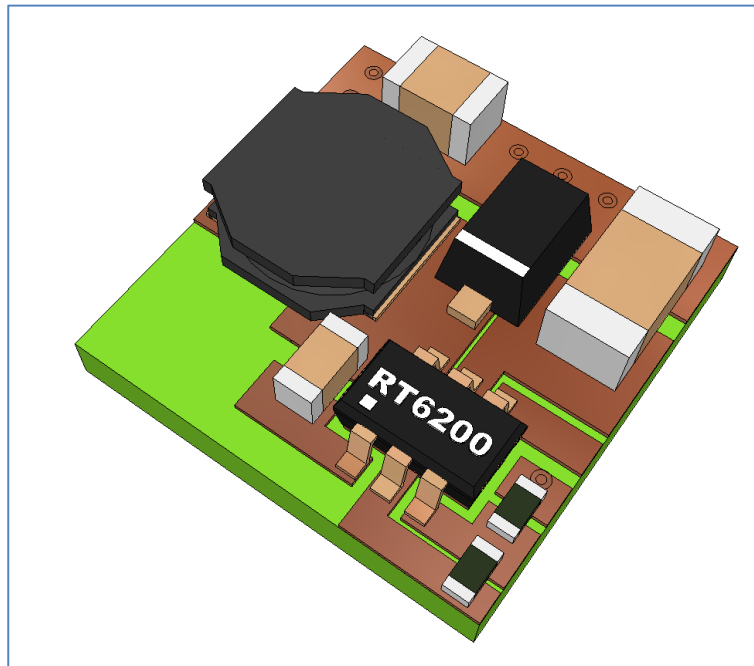


Figure 6.

### 4. RT6208 36V 0.1A High Efficiency Buck Converter

SoC parts with RF sections like Zigbee Light Link and Bluetooth Low Energy have current consumption around 5 ~ 50mA. These SoC are often built into lighting applications that run from higher voltage supply rails and need to achieve very low total system standby power. They therefore need to achieve the highest possible efficiency in the low current ranges. [RT6208](#) was specially designed for these types of applications, and minimizes converter losses by a special boundary conduction mode / low quiescent current sleep mode cycling operation.

The RT6208 Block diagram and basic schematic are show in figure 7.

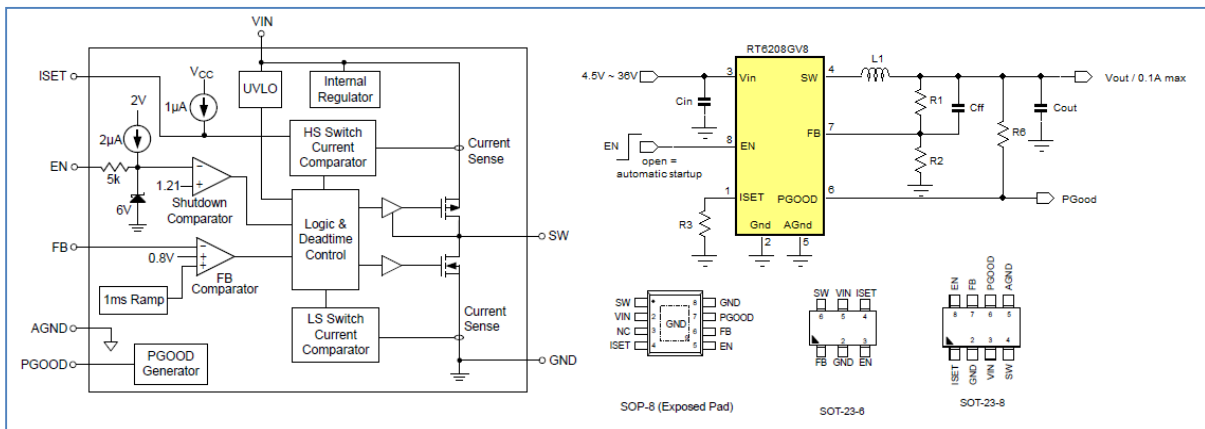


Figure 7.

The operation mode of [RT6208](#) works as following: The external resistor on the ISET pin sets an internal maximum peak current limit. The feedback comparator has an 800mV reference and a 5mV hysteresis. When the feedback signal on FB pin is 5mV lower than the internal reference, the internal high-side MOSFET is switched on and inductor current begins to ramp up. When the inductor current exceeds the internal peak current limit, the high-side MOSFET is switched off and the low-side MOSFET is switched on. The inductor current ramps down to zero. This triangular current pulse charges the output capacitor, and the FB pin rises above the 800mV reference. After the inductor current reaches zero, both MOSFETs are switched off and the converter is switched into a low quiescent current sleep mode. The output voltage slowly discharges by the load current and when the FB voltage drops 5mV below the reference, the high-side MOSFET is activated again and the cycle repeats. In case of larger output capacitors or low current limit settings, the converter will generate multiple switch cycles in boundary conduction mode until the feedback pin exceeds the reference. This operation minimizes switching losses, and achieves very good efficiency in light load range.

Figure 8 below shows an application circuit for a for a 3.3V 50mA supply with high efficiency at low current.

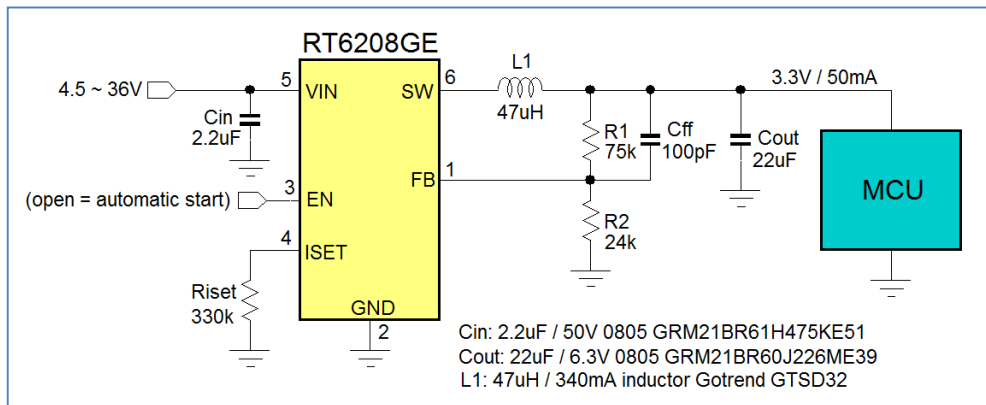


Figure 8.

The current limit setting determines the application maximum current and should be chosen to be at least double the maximum load current: In this 50mA maximum load example,  $R_{ISET}$  is calculated for a current limit of 106mA according:

$$R_{ISET} = (I_{PEAK} - 0.05) \times 5.88 \times 10^6$$

This value sets the reference for the internal peak current sense comparator. In practice, the actual peak current will be higher due to the peak current level comparator propagation delay of ~100nsec. This increase in peak current due to propagation delay depends on the  $di/dt$  of the rising current slope, which is depended on  $V_{in}$ ,  $V_{out}$  and  $L$  value. So high  $V_{in}$  applications with relatively small inductors will show higher peak current than the programmed value.

Recommended inductor values for [RT6208](#) 3.3V and 5V applications range from 47 ~ 150 $\mu$ H. Larger inductor values reduce  $di/dt$ , so application peak current will be closer to the programmed value. Lower inductor values will result in higher peak currents than programmed, but this does not impact overall performance. Saturation current should be selected higher than the maximum application peak current. In these low power applications, inductor core losses play an important part in overall losses, and higher quality shielded inductors will have less core losses than open semi-shielded types, thus improving efficiency.

[RT6208](#) works in hysteretic output ripple based mode. The 5mV hysteresis at the FB comparator means that the peak to peak output ripple will at least be  $5mV * V_{out}/V_{ref}$ . For calculating the output capacitor, the datasheet formula provides a good guideline:

$$C_{OUT} \geq 50 \times L \times \left( \frac{I_{PEAK}}{V_{OUT}} \right)^2 \quad \text{This capacitor value will result in 1% output voltage ripple.}$$



In the 3.3V example application using a 47µH inductor, a 106mA programmed current will give around 200mA actual peak current at 24V input. The calculated output capacitor value needs to be 8.6µF. A suitable choice is Murata GRM21BR60J226ME39 22µF/6.3V 0805 which has around 9µF capacitance at 3.3V due to DC bias and AC ripple effect.

To improve the switching stability of the hysteretic mode converter, a small feed-forward capacitor C<sub>ff</sub> can be added in parallel with the upper feedback resistor. This example uses 100pF.

For automatic start-up, the EN pin can be left floating.

Figure 9 below shows the output voltage, switching waveform and inductor current at 5mA and 50mA load condition with different input voltages. It can be seen that the inductor peak current increases with higher input voltages due to comparator propagation delay. At 24V, one current pulse is sufficient to produce an output ripple which can exceed the FB hysteresis. At 12V and higher loads, two consecutive pulses are needed to exceed the FB hysteresis.

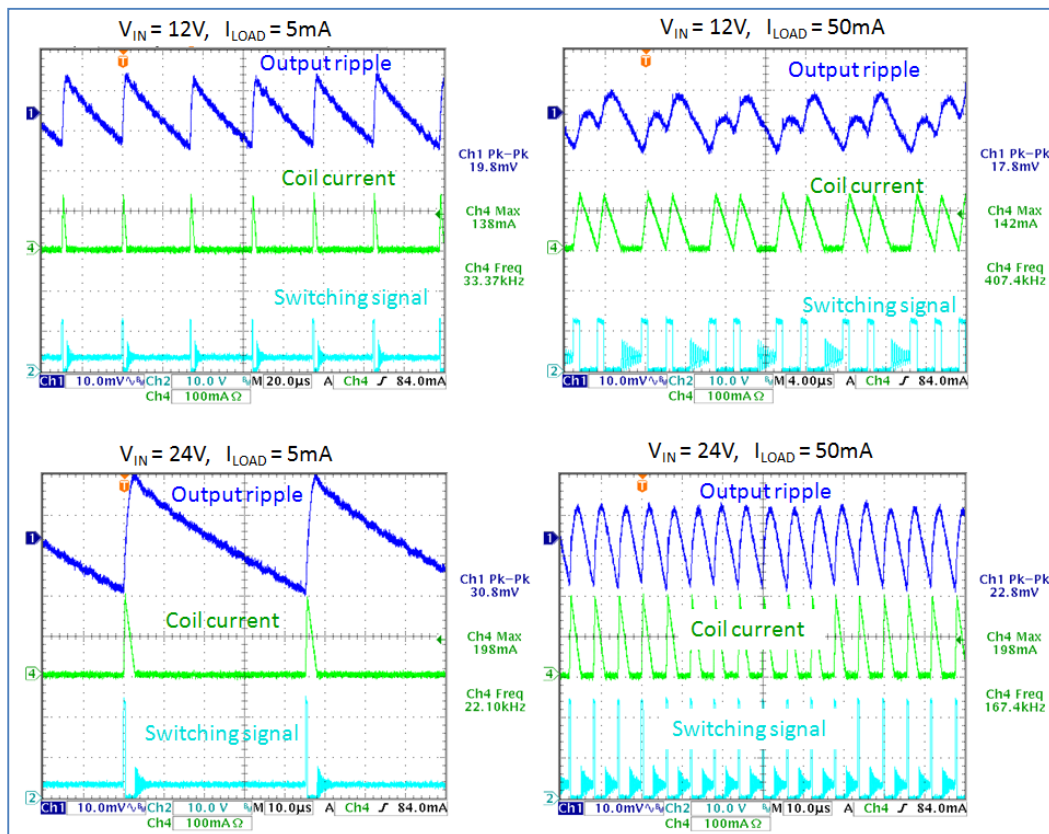


Figure 9.

The efficiency of the 24V – 3.3V / 50mA application is shown in figure 10. In the 5 ~ 50mA range, the efficiency is more than 80%, which helps to meet low power standby requirements.

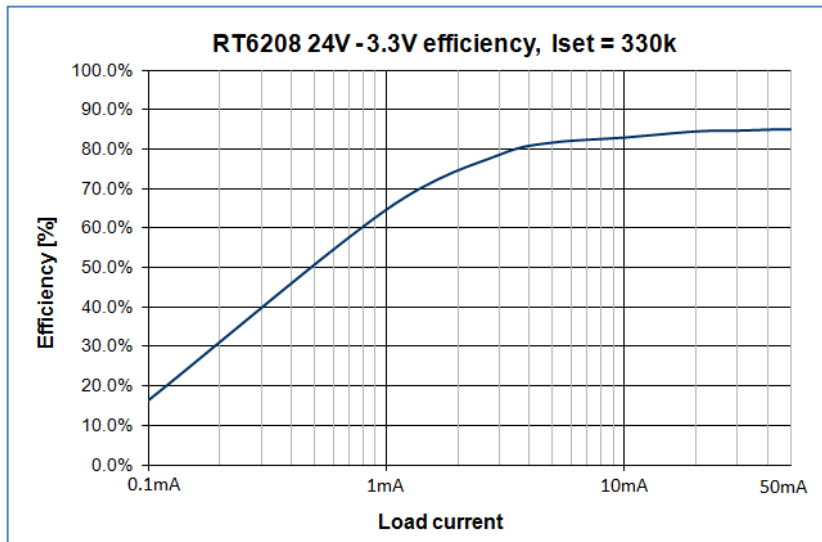


Figure 10.

An example layout is shown in figure 11. The power section is placed at the left top corner, and several vias connect power ground to IC ground (underneath the IC) via the inner ground layer. The feedback pin is sensitive to noise pick-up, and the R1/R2 network should be placed close to this pin, away from noisy signals. The ISET resistor is connected to the same small signal ground as the feedback resistors. Total footprint of this layout is 7.5 x 8mm.

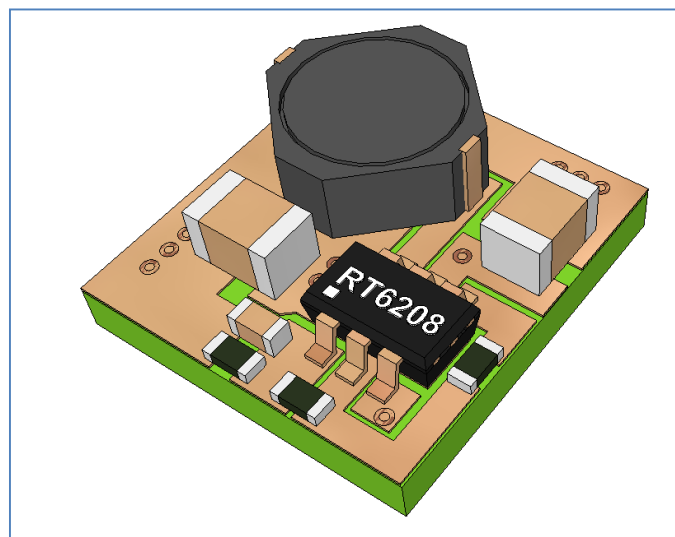







Figure 11.

## 5. Conclusion

In this application note two different methods are described to power microcontrollers from 24V input voltage supplies: Linear regulators like [RT9058](#), [RT9069](#), [RT9068](#) and [RT9074](#) can be used when load current is small, up to 38mA depending on package. For better efficiency and higher current levels, Buck converters like [RT6200](#) and [RT6208](#) can be used. [RT6208](#) is especially suitable for applications that require high efficiency at light loads.

### Related Parts

<a href="#">RT6200</a>	0.6A, 36V, 1.2MHz Step-Down Converter	 <a href="#">Datasheet</a>
<a href="#">RT6208</a>	High Efficiency, 36V 100mA Synchronous Step-Down Converter	 <a href="#">Datasheet</a>
<a href="#">RT9058</a>	36V, 2µA I <sub>Q</sub> , 100mA Low Dropout Voltage Linear Regulator	 <a href="#">Datasheet</a>
<a href="#">RT9068</a>	60V, 30µA I <sub>Q</sub> , Low Dropout Voltage Linear Regulator	 <a href="#">Datasheet</a>
<a href="#">RT9074</a>	60V, 30mA I <sub>Q</sub> , Low Dropout Voltage Linear Regulator	 <a href="#">Datasheet</a>

### Next Steps

Richtek Newsletter	<a href="#">Subscribe Richtek Newsletter</a>
Download	<a href="#">Download PDF</a>

## Richtek Technology Corporation

14F, No. 8, Tai Yuen 1<sup>st</sup> Street, Chupei City  
Hsinchu, Taiwan, R.O.C.  
Tel: 886-3-5526789

Richtek products are sold by description only. Richtek reserves the right to change the circuitry and/or specifications without notice at any time. Customers should obtain the latest relevant information and data sheets before placing orders and should verify that such information is current and complete. Richtek cannot assume responsibility for use of any circuitry other than circuitry entirely embodied in a Richtek product. Information furnished by Richtek is believed to be accurate and reliable. However, no responsibility is assumed by Richtek or its subsidiaries for its use; nor for any infringements of patents or other rights of third parties which may result from its use. No license is granted by implication or otherwise under any patent or patent rights of Richtek or its subsidiaries.